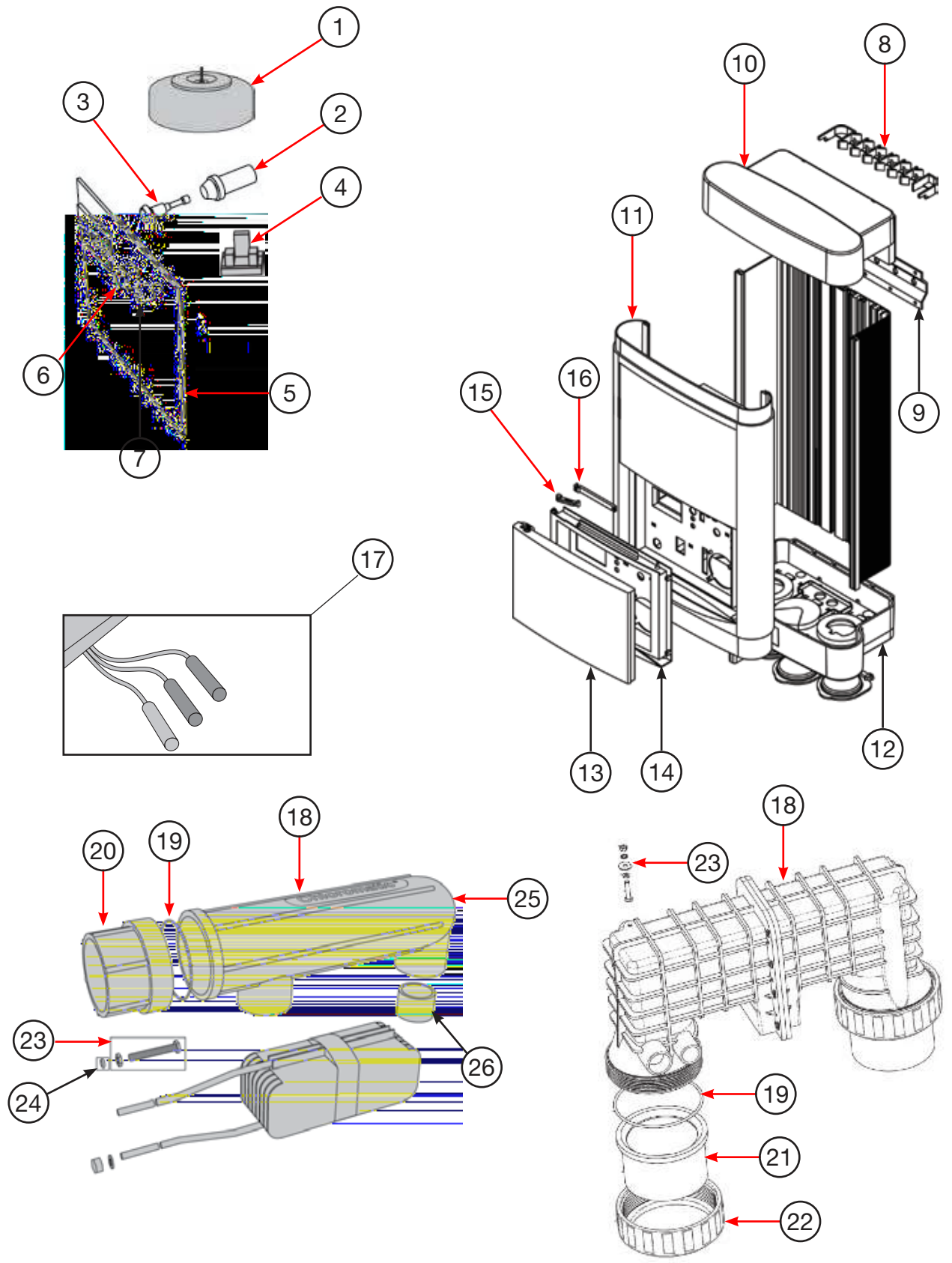


Chlorinators

Promatic	MPS16CE	MPS24CE
	MPS36CE	MPS50CE



Chlorinators

Promatic	MPS16CE	MPS24CE
	MPS36CE	MPS50CE

ITEM	NOTES	DESCRIPTION	QTY REQ'D	PART NO.	UNIT
1		Transformer - MPS16	1	M1714	ea
1		Transformer - MPS24	1	M1715	ea
1		Transformer - MPS36, MPS50	1	M1788	ea
2		Fuse Holder	1	M2953	ea
3		Fuse 3A - MPS16, MPS24	1	M2902	ea
3		Fuse 5A - MPS36, MPS50	1	M2906	ea
4		Filter Board - MPS16, MPS24	1	14756PG	ea
4		Filter Board - MPS36, MPS50	1	M2212E-10M	ea
5		PCB - MPS16	1	M111716EUSP	ea
5		PCB - MPS24	1	M111724EUSP	ea
5		PCB - MPS36	1	M1117A36EUSP	ea
5		PCB - MPS50	1	M1117A48EUSP	ea
6		Power Switch	1	M2004	ea
7		Chlorine Control Knob	1	M1521	ea
8		Baffle	1	14041	ea
9		Hanging Bracket	1	14343	ea
10		Top	1	14053-1	ea
11		Front Cover	1	14043-2	ea
12		Bottom	1	14042-4	ea
13		Door	1	14296	ea
14		Decal Housing	1	14049-2	ea
15		Door Linkage - Swinging	1	14052	ea
16		Door Linkage - Sliding	1	14051	ea
17		Cell cord Assembly	1	M2679	ea
17		Cell cord Assembly - MPS50 only	1	M2679-10	ea
18		Cell - MPS16	1	M0656EX	ea
18		Cell - MPS24, MPS36	1	M0657EX	ea
18		Cell - MPS50	1	M4922REP	ea
19		O-ring - Cell	1	M1217	ea
19		O-ring - Cell MPS50 only	2	M1573	ea
20		Cell Head Assembly Complete MPS16/24/36	1	M1224H5SP	ea
21		Barrel Union Tail 80mm - MPS50	2	M1572	ea
21		Barrel Union Reducing Tail (80mm to 50mm) - MPS50	2	M1576	ea
22		Barrel Union Nut	2	M1571	ea
23		Gas Detector - MPS16/24/36	1	M1103	ea
23		Gas Detector - MPS50	1	32746	ea
24		Gas Detector O-ring	1	M1203	ea
25		Cell Body	1	M1249	ea
26		Cell Adaptor	2	M1215	ea
-		Power Supply Cord	1	M2699ETS	ea
-		Decal Interface	1	15643	ea
-		Triac - MPS36/50	2	M1904	ea